

JGB37-520 MOTEUR REDUCTEUR A ENCODEUR 37MM



Notice: For it is metal gearbox gear motor, some of them may have a little noise, and it is normal phenomenon. Different parameters have their different looks. The lower the speed is, the larger the torque is. Please read the parameter table for a reference before buying. Thanks!!!

Maximum endurance of gear 35KG,the motor can't allow to be stalled.

Voltage: DC6V

No-Load Speed: 6rpm, 10rpm, 18.5rpm, 30rpm, 38rpm, 55rpm, 71rpm, 89rpm, 166.5rpm, 265rpm, 500rpm, 800rpm

Voltage: DC12V

No-Load Speed: 7rpm, 12rpm, 20rpm, 35rpm, 37rpm, 45rpm, 60rpm, 76rpm, 107rpm, 111rpm, 178rpm, 200rpm, 333rpm, 530rpm, 600rpm, 1000rpm, 1590rpm

Error: $\pm 10\%$

Motor Diameter: about 33mm

Motor Body Length: about 22.7mm

Output Shaft Diameter: 6mm(D-type)

Output Shaft Length: about 15.5mm

Gearbox Diameter: 37mm

about the gearbox size detail, please see the picture

Encoder Connection:

Red Wire: motor positive +

Black: encoder negative -

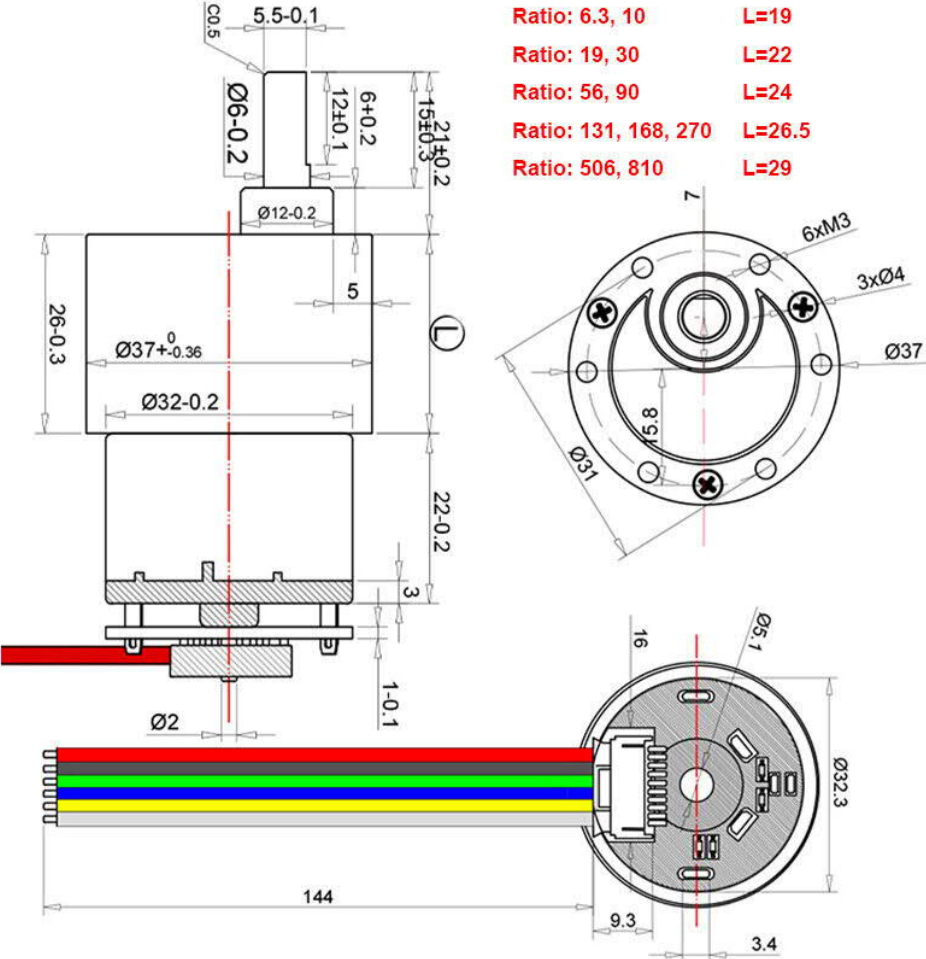
Yellow: Hall Senson A Output

Green: Hall Senson B Output

Blue: encoder positive +, Hall Sensor Vcc

White Wire: motor negative -

Parameters Table: (Notice: If the row of the "Torque" was marked as "ban" in the parameters table, the motor can't allow to be stalled.)



Model	Voltage	No Load		Rated Load				Max.	Stop	Gearbox
JGB37-520	Rated	Speed	Current	Speed	Current	Torque	Power	Torque	Current	Length
Ratio	V	rpm	A	rpm	A	kg.cm	W	kg.cm	A	mm
JGB37-520 6V										
6.25	6	800	0.08	600	0.33	0.11	1.9	0.46	1.2	19
10		500	0.08	385	0.33	0.2	1.9	0.8	1.2	
18.8		265	0.08	203.5	0.33	0.33	1.9	1.3	1.2	22
30		166.5	0.08	125	0.33	0.5	1.9	2	1.2	
56		89	0.08	70	0.33	0.9	1.9	3.6	1.2	24
70		71	0.08	55	0.33	1.1	1.9	4.4	1.2	
90		55	0.08	42.5	0.33	1.5	1.9	6	1.2	
131		38	0.08	29	0.33	1.95	1.9	7.8	1.2	26.5
169		30	0.08	23	0.33	2.5	1.9	10	1.2	
210		23.5	0.08	18	0.33	3	1.9	12	1.2	
270		18.5	0.08	14	0.33	4	1.9	16	1.2	
394		12.5	0.08	9.7	0.33	5.2	1.9	20.8	1.2	29
506		10	0.08	7.5	0.33	6.8	1.9	27.2	1.2	
630		7.9	0.08	6	0.33	8.3	1.9	ban	1.2	
810	6	0.08	4.5	0.33	10.5	1.9	ban	1.2		
JGB37-520 12V										
6.25	12	960	0.1	672	0.2	0.17	3.6	0.6	1.2	19
10		600	0.1	480	0.2	0.28	3.6	1.1	1.2	
18.8		319	0.1	255	0.2	0.48	3.6	1.9	1.2	22
30		200	0.1	160	0.2	0.75	3.6	3	1.2	
56		107	0.1	85	0.2	1.2	3.6	4.8	1.2	24
70		85	0.1	68	0.2	1.5	3.6	6	1.2	
90		66	0.1	52	0.2	2	3.6	8	1.2	
131		45	0.1	36	0.2	2.7	3.6	10.8	1.2	26.5
169		35	0.1	28	0.3	3.4	3.6	13.6	1.2	
210		28	0.1	22	0.3	4.3	3.6	17.2	1.2	

270		22	0.1	18	0.3	5.5	3.6	22	1.2	
394		15	0.1	12	0.3	7.3	3.6	29.2	1.2	29
506		12	0.1	9.4	0.3	9.1	3.6	ban	1.2	
630		9.5	0.1	7.6	0.3	11.6	3.6	ban	1.2	
810		7	0.1	5.6	0.3	15	3.6	ban	1.2	
JGB37-520 12V										
6.25	12	1600	0.15	1200	0.65	0.23	7.8	0.9	2.4	19
10		1000	0.15	770	0.65	0.4	7.8	1.6	2.4	
18.8		530	0.15	407	0.65	0.67	7.8	2.6	2.4	22
30		333	0.15	250	0.65	1	7.8	4	2.4	
56		178	0.15	140	0.65	1.8	7.8	7.2	2.4	24
70		142	0.15	110	0.65	2.2	7.8	8.8	2.4	
90		110	0.15	85	0.65	3	7.8	12	2.4	
131		76	0.15	58	0.65	3.9	7.8	15.6	2.4	26.5
169		60	0.15	46	0.65	5	7.8	20	2.4	
210		47	0.15	36	0.65	6	7.8	24	2.4	
270		37	0.15	28	0.65	8	7.8	ban	2.4	
394		25	0.15	19.5	0.65	10.4	7.8	ban	2.4	29
506		20	0.15	15	0.65	13.6	7.8	ban	2.4	
630		15.8	0.15	12	0.65	16.6	7.8	ban	2.4	
810		12	0.15	9	0.65	21	7.8	ban	2.4	