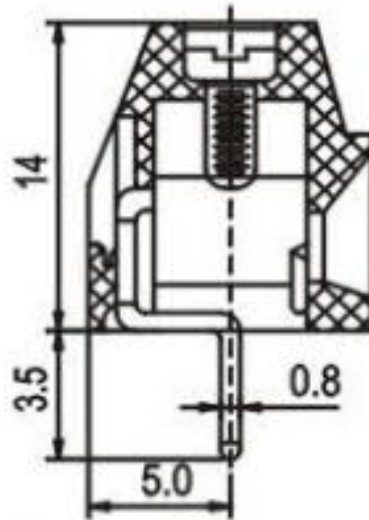
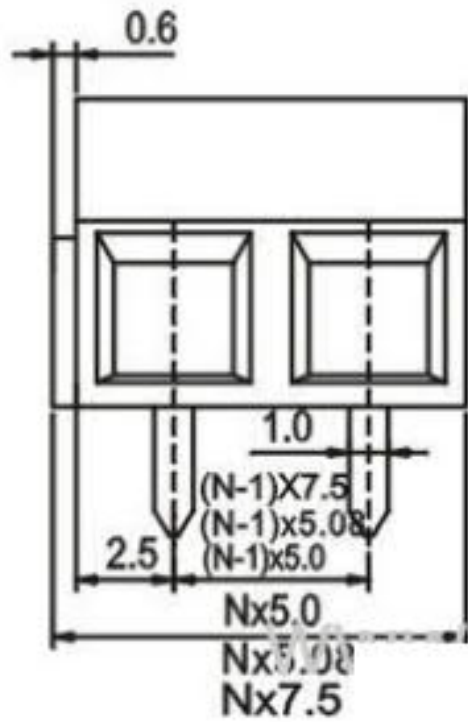


2. Datasheet of 5.0mm PCB Screw terminal block connectors 300V 10A M



P.C.B.LAYOUT

