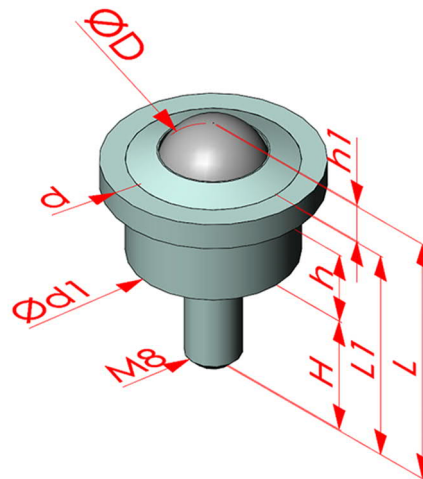


CP15A-FL

ROULETTE A BILLE A MONTAGE PAR BOULON A TIGE FILETEE CHARGE 60KG



Stock Name	ØD	Ød1	Ød	L	L1	H	h	h1	Loading Capacity	Material	Weight (gr)
Ball Transfer Unit Screwed CP12A FL	12	18	23	30,5	28,5	15	8,2	2	30kg	20Cr	420
Ball Transfer Unit Screwed CP15A FL	15,87	24	31	39	33	18	11	6	60kg	20Cr	690